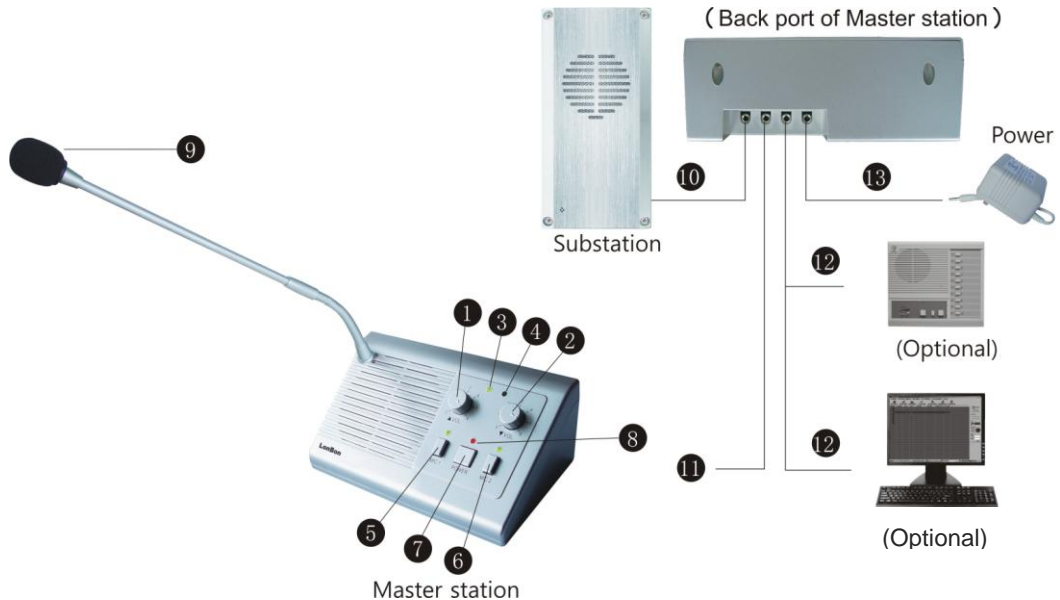


QUICK START

- 1.** Connect **substation (speaker)** to **OUT** on **POS master station**, using Extension Wires (provided). Plug **power transformer** to **POWER** on **POS master station**.
- 2.** Connect **Terminal Connector** (provided in accessory bag, male plug with two short RED and WHITE wires) to **monitoring master station**, RED to terminal **1**, BLACK to **COM** next to it; Connect **power transformer** to terminals **“+”** and **“-”**. Channel 1 is the default channel. Press down main power button for 1 second to turn system on, 3 seconds to turn off.
- 3.** Connect **Terminal Connector** male end to **REC** on **POS master station**, using Extension Wires (provided).

** Call (248) 629-0170 if you still have troubles setting up system.*

INSTALLATION AND OPERATION INSTRUCTION



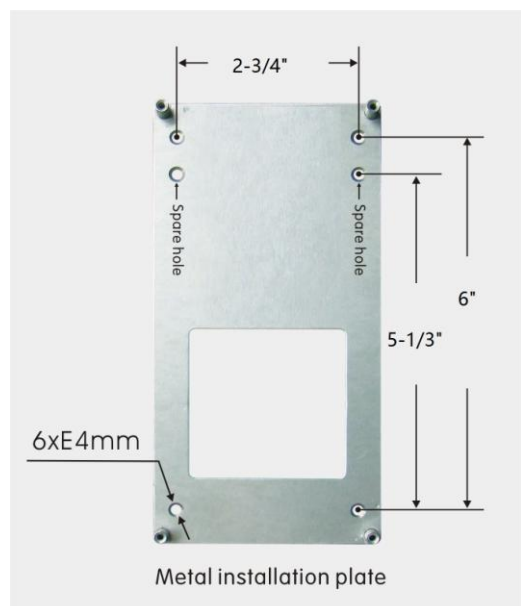
- | | |
|-------------------------------------------|------------------------------|
| 1. Volume control of substation(▲VOL) | 8. Power indicator light |
| 2. Volume control of master station(▼VOL) | 9. Microphone |
| 3. Master station speaker indicator light | 10. Jack to substation (OUT) |
| 4. Substation speaker indicator light | 11. Internal MIC jack (MIC.) |
| 5. Internal MIC switch MIC1 | 12. Record jack(REC.) |
| 6. External MIC switch MIC2 | 13. Power jack (POWER) |
| 7. Power switch (Power) | |

Installation

1. Install master station and substation. Plug the substation wire into the jack 10.
2. Connect the power transformer to an 110V power source and to the power jack 13.
3. Press the power switch 7 to turn on the power indicator light 8; the unit is in normal working status.
4. Press internal MIC switch 5 and external MIC switch. The two green indicator lights will be on. Two-way duplex communication is now established.

Monitor, Talk-In, Record

1. Connect Monitoring Master Station to jack 12 (REC) on master station. Talk-in conversation cannot be



heard by customers on the substations (used by management to monitor, train, or talk to window staff).

2. Connect digital recording system (optional) to jack 12 (REC) to record.

Technical Specifications

Power Source: Input 110V, Output DC9-14V	Max Working Current: $\leq 350\text{mA}$
Master Station Speaker Output: 1.5W	Master Station MIC: $-51\pm 2\text{db}$ 20Hz-16KHz
Dimension, Master Station: 6" x 3-1/5" x 2-1/5"	Substation MIC: $-44\pm 2\text{db}$ 20Hz-15KHz
MIC Length: 14"	Substation Speaker Output: 3W
Dimension, Substation: 7" x 3-1/2" x 1-1/8"	Output Frequency: 20Hz~20KHz
Dimension, Base Plate: 7" x 3-1/2" x 1/2"	Signal-to-Noise Ratio: $> 70\text{ db}$
Harmonic Distortion: $< 0.5\%$	MIC Input Sensitivity: 10 mv
Working Temperature: $- 4\text{ }^{\circ}\text{F} \sim + 150\text{ }^{\circ}\text{F}$	Working Humidity: $\leq 90\%$

Note: Huafone reserves the rights to update pictures, specifications, design shown here at anytime without further notice.

INSTALLATION AND OPERATION INSTRUCTION

(Vehicle Detection System)

Install Batteries

1. Using a screwdriver (not included), remove the Battery Cover of the Sensor, and insert three AAA batteries (not included). Replace the Battery Cover.
2. Using a screwdriver (not included), remove the Battery Cover of the Receiver, and insert three C batteries (not included). Replace the Battery Cover.

Install Sensor and Receiver

1. Consider the following when choosing a location for the Sensor:
 - a. The passive infrared sensor detects heat. Avoid aiming it towards areas that produce heat such as heater vents, windows where the sun hits, or outdoor spotlights.
 - b. Mount the Sensor at least three feet above the ground. If placed under the garage eaves, be sure that the Sensor is not blocked by the roof fascia board.
 - c. If placed above eight feet high, the Sensor should be aimed downward so that it is pointed toward the area being monitored.
2. Mount the Sensor to a flat surface with hardware (3).
3. Place the Receiver within 400 feet of the Sensor.
4. Mount the Receiver to a flat surface with hardware, or stand on a flat surface. The receiver is not intended to be weather resistant.

Power Switch

The Power Switch has three settings:

- a. Off: Power is off.
- b. Hi: A loud beep will sound and the LED will flash when motion is detected.
- c. Low: A short beep will sound and the LED will flash when motion is detected.

Operation

1. To operate the Security Alert, slide the Power Switch on the Receiver to the "Hi" setting. Allow 30 seconds for warm-up. Two short beeps will sound, indicating the unit is working.
2. Test the Sensor by walking or driving into the protected area. Another person should be listening for the alarm to sound.
3. If the Sensor does not activate, Sensor relocation or aiming adjustment will be required.
4. If the Receiver does not activate with the sensor, reposition them closer together.
5. Once you have determined that the unit is working properly, leave in the "Hi" setting or adjust to the "Low" setting.

Low Battery

1. Replace the Sensor batteries when the LED on the Sensor turns on.
2. Replace the Receiver batteries when the LED on the Receiver turns on.