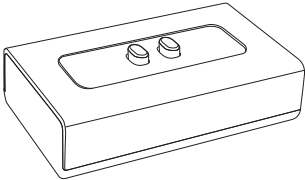
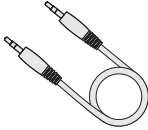
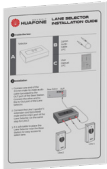




1 Inside the box:

A	Selector 	B	3.5mm Audio Cable 1 PC 
		C	User manual 1 PC 

2 Installation

1. Connect one end of the 3.5mm male-to-male audio cable (provided) to the OUT port of the Base Station. Connect the other end to the In/Out port of the Lane Selector.
2. Connect the Lane 1 speaker's extension cord (provided) male end to Lane 1 port of the Lane Selector. Do the same step for Lane 2.
3. It is advisable to place the Lane Selector near the Base Station for easy access to select lane.

