

**6** DETROIT HUAFONE TECHNICAL  
SUPPORT AND CONTACT INFORMATION

**1** DETROIT HUAFONE TECHNICAL  
Support and contact information

Tech support department:  
Toll free: (800) 886-5607, ext #2  
Email: support@huafone.Com

**2** SALES DEPARTMENT:  
Toll free: (800) 886-5607, ext #1  
International calls: +1 (248) 629-0170  
Email: sales@huafone.com

**3** [www.huafone.com](http://www.huafone.com)



**PRO SERIES  
SPEAKER POST  
SETUP GUIDE**

HF-SP-02A  
(For Kit 3 Pro Series  
Drive Thru System)

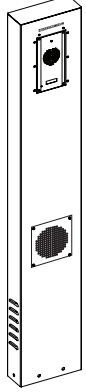
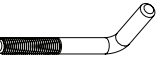
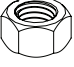
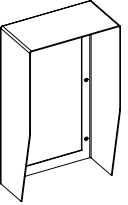

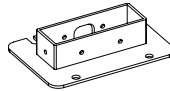
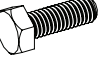
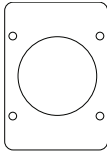
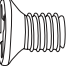

**Contents:**

1. Inside the box.....2  
 2. Pro Series Speaker Post assembly layout .....3  
 3. Foundation installation .....4  
 4. Installing the base plate .....5  
 5. Installing Pro Series Speaker Post .....6  
 6. Detroit Huafone technical support and contact information.....7

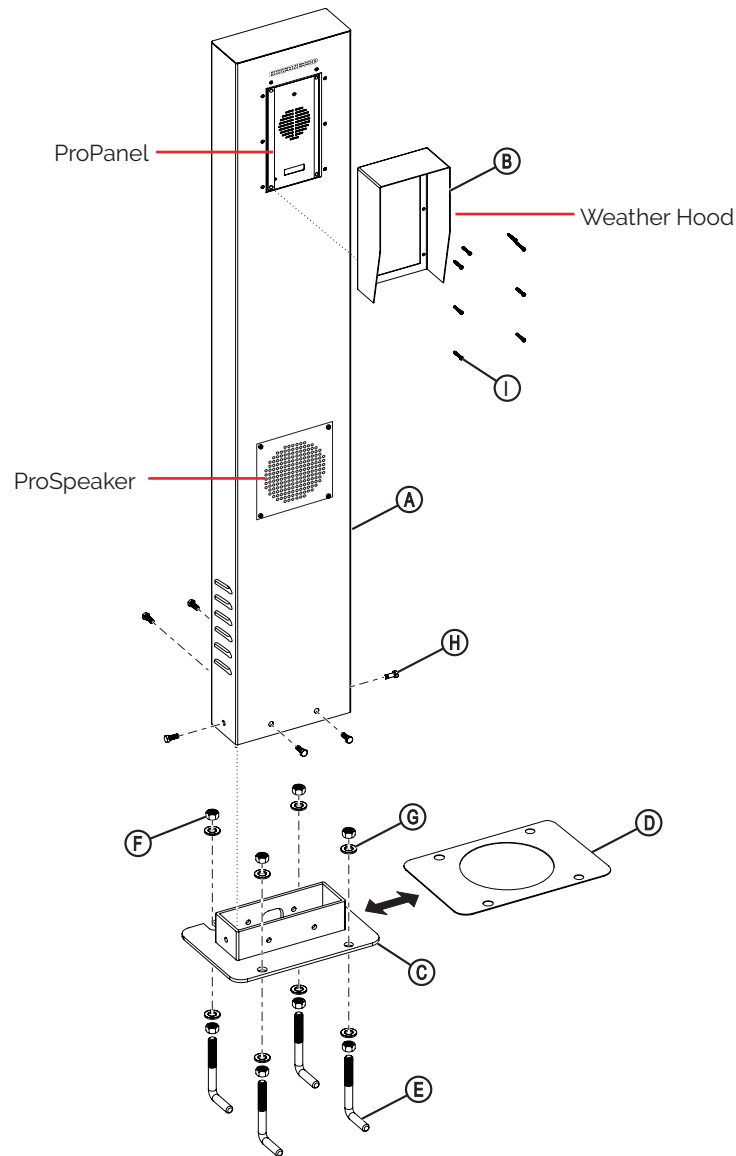
**Tools Required**

1. Adjustable Wrench
2. Small Phillips head screwdriver

**1 Inside the box:**

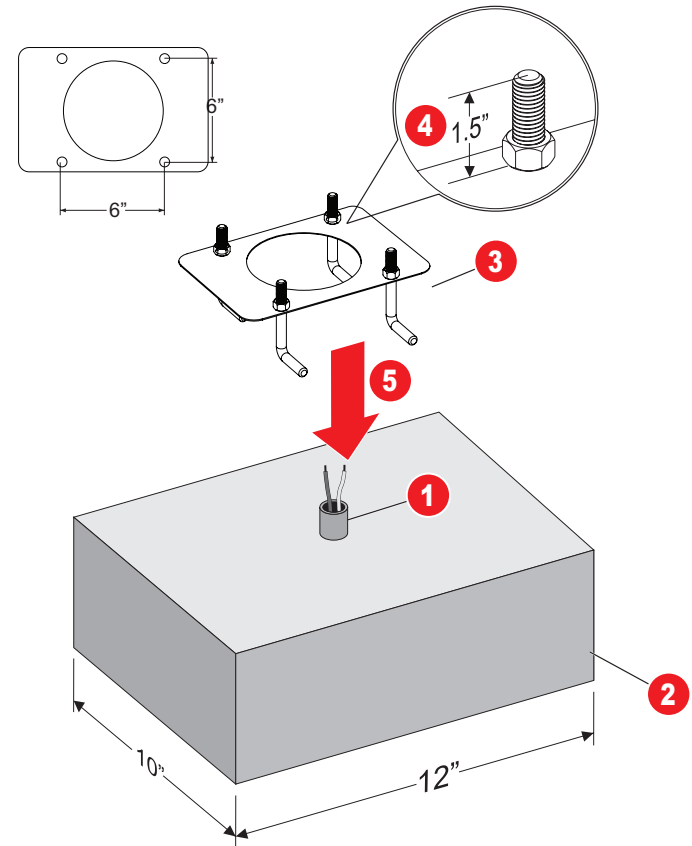
<p><b>A</b></p>	<p>PRO SERIES SPEAKER POST 1 PC</p> 	<p><b>E</b></p>	<p>M12 ANCHOR /STUD BOLT 4 PCS</p> 
		<p><b>F</b></p>	<p>M12 NUTS 10 PCS (8 NEEDED)</p> 
<p><b>B</b></p>	<p>WEATHER HOOD 1 PC</p> 	<p><b>G</b></p>	<p>M12 WASHER 10 PCS (8 NEEDED)</p> 
<p><b>C</b></p>	<p>BASE PLATE 1 PC</p> 	<p><b>H</b></p>	<p>M8 SCREW 8 PCS (6 NEEDED)</p> 
<p><b>D</b></p>	<p>BASE PLATE TEMPLATE 1 PC</p> 	<p><b>I</b></p>	<p>M3X5 PHILLIPS HEAD SCREW 9 PCS (8 NEEDED)</p> 
<p><b>J</b></p>			<p>PRO SERIES SPEAKER POST SETUP GUIDE 1 PCS</p> 

## 2 Pro Series Speaker Post Assembly Layout



3

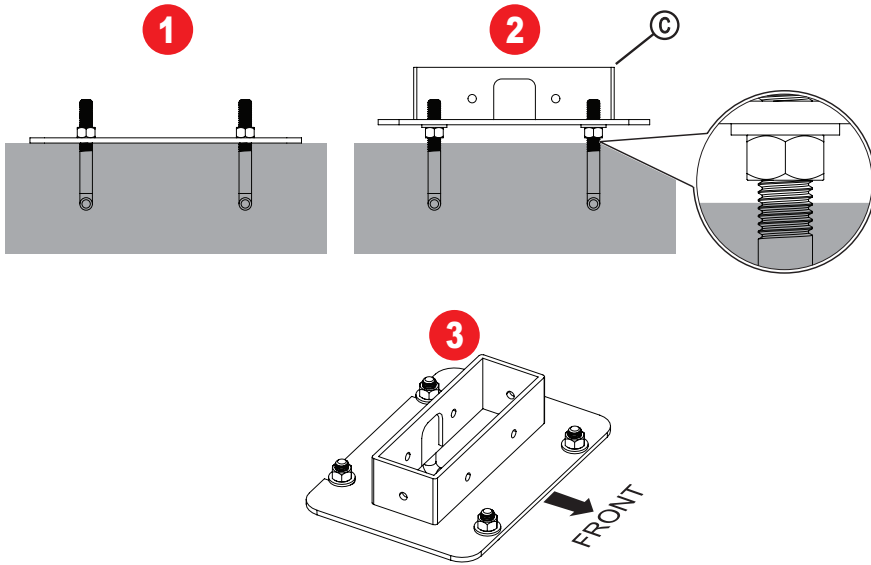
## 3 Foundation Installation





- 1 Position the Conduit for CAT 5 cable at the center before the concrete is poured into the hole. CAT 5 cable can also be installed through the "Base Plate" as an option.
  - 2 Approximate dimension for the Concrete Foundation is 12" x 10".
  - 3 Assemble the parts such as Base Plate Template, Stud Bolt and Nuts.
  - 4 Maintain a minimum of 1.5" height for each Stud Bolt to Base Plate Template.
  - 5 Place the assembly with the bottom surface touching the concrete foundation before final curing.
- ⚠ Do not route the CAT 5 cable together with 120v AC electrical wiring.
- ⚠ This violates the National Electrical Code and is a Safety Hazard.

4

#### 4 Pro Series Speaker Post Assembly Layout

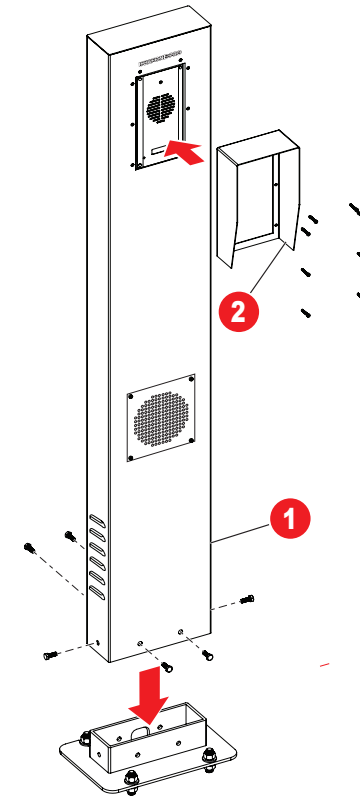


- 1** Remove all the Nuts and Base Plate Template then clean the exposed thread from dry concrete and debris.
-  Failure to clean the thread may damage the Nuts and alignment of the Speaker Post will be affected.

- 2** Assemble by placing the Nuts (4pcs.), Washers (4pcs.) and the Base Plate. Use a Leveling Tool and adjust the Nuts to achieve a good alignment of the Base Plate.
-  Maintain a gap for each Nut and Concrete to prevent corrosion build-up. (See Figure 2)

- 3** Check that the Base Plate orientation is correct. Assemble the Washers (4pcs.) and Nuts (4pcs.) to tighten.

#### 5 Installing Pro Series Speaker Post



- 1** Assemble the Pro Series Speaker Post to the Base Plate and fasten with M8Screws (6pcs.).
- 2** Install the Weather Hood and fasten with M3x5 Phillips Head Screws (8pcs.) to complete the Pro Series Speaker Post assembly.